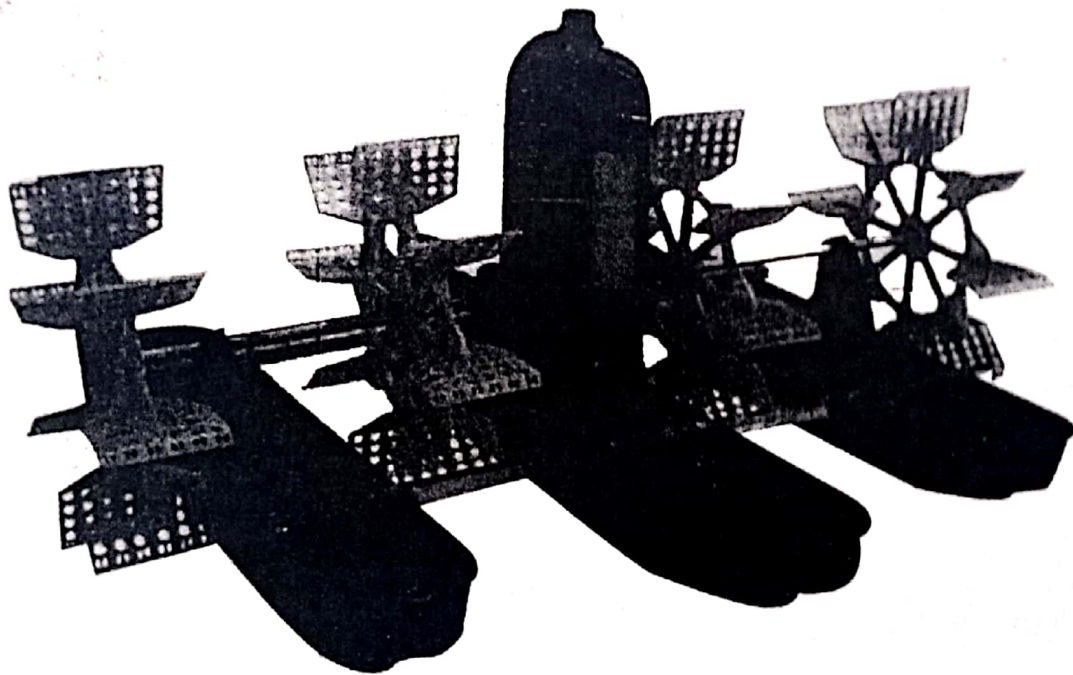


# PADDLEWHEEL AERATOR MANUAL BOOK



## SAFEGUARD DEVICE

1. There is safeguard device in motor. when low voltage, less phase and imbalance for 3-phase electricity, the safeguard device will cut off and recover in one hour.
2. If safeguard device cut off the power, the whole power supply line should be checked carefully. Especially for the connection of switch, fuse box, pin and socket. It should be deal with by Professional people.
3. Aerator can continue work for a long time. When the safeguard device works, it's a signal that the power line may have problem. Check and repair immediately!

## FEATURE

1. Use arc bevel gear instead of turbine wheel or poles, save at least 20% power than traditional type and be high efficiency.
2. Arc bevel gear is made of Cr-Mn-Ti steel alloy, the surface has been deal with Carbonitriding, high HRC and long life-span.
3. Use oil seal to ensure no oil leakage
4. There is a safeguard device inside the motor.
5. HDPE floating boat, nylon paddwheel, stainless steel shaft, frame and screw.

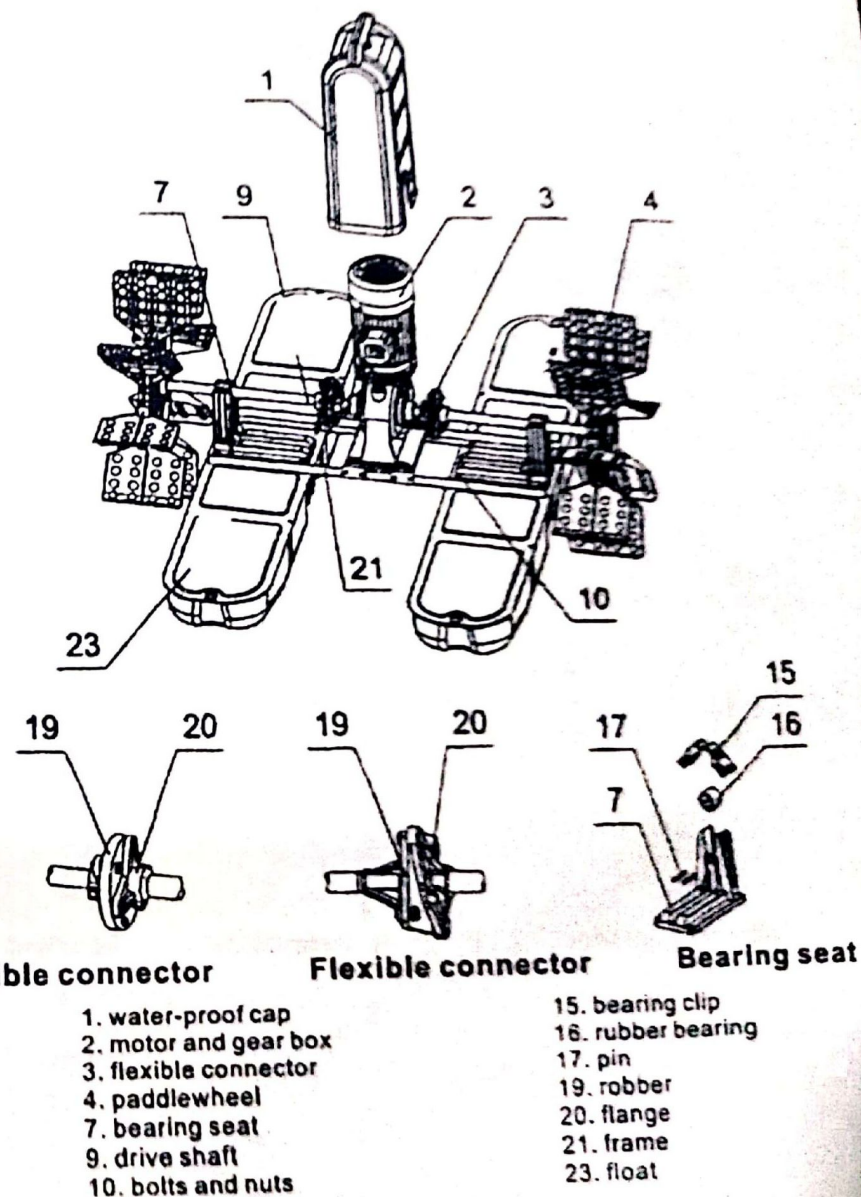
## SPECIFICATION

Model	Power (KW)	Voltage (V)	Aerobic Capacity (Kg/h)	Noise DB(A)	Ampere (A)
1 HP	0.75	440	≥1.4	≤78	≤2.0A
2 HP	1.5	440	≥2.0	≤80	≤3.5A

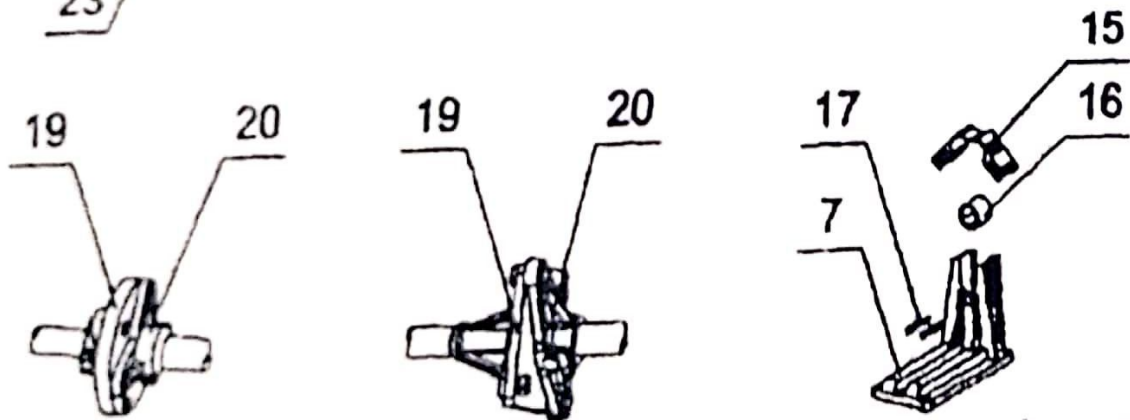
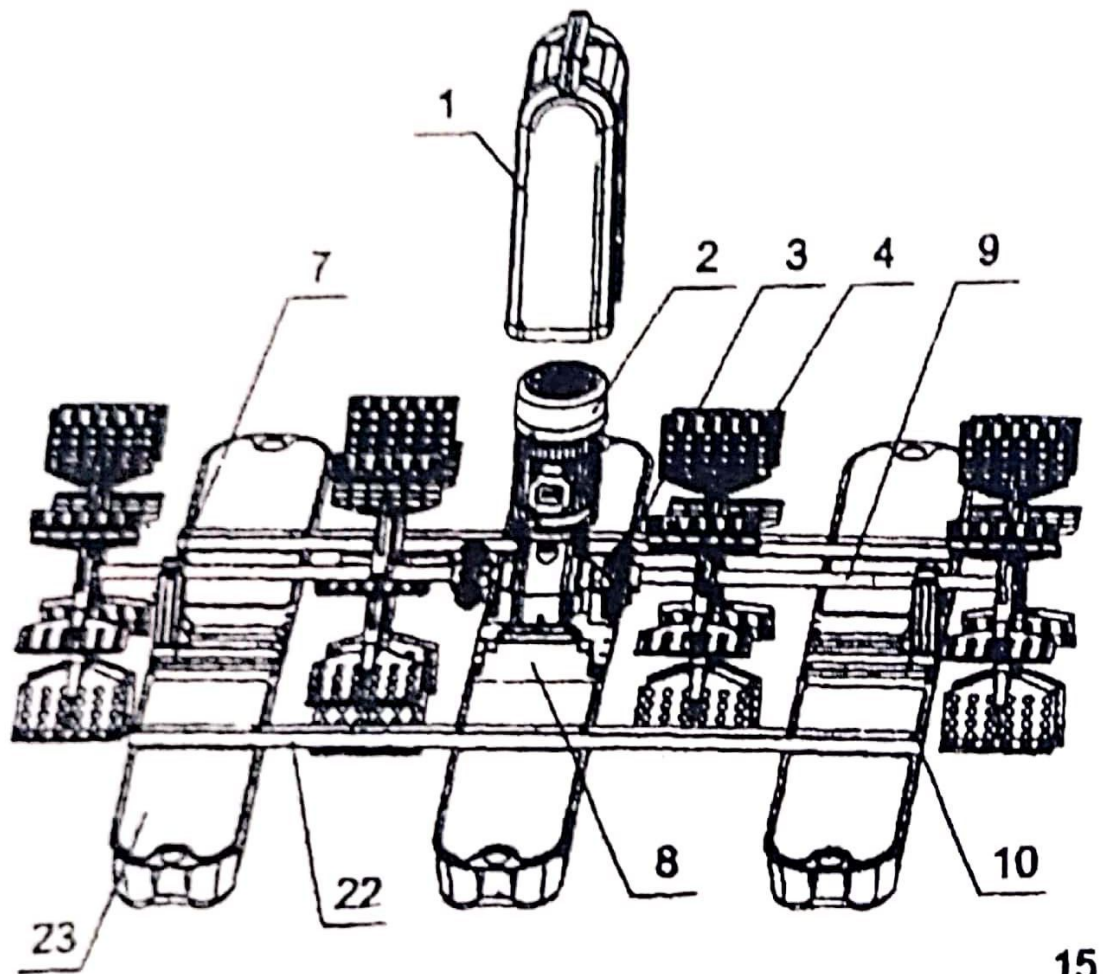
## Trouble Shooting

Trouble	Cause	Trouble Shooting
Machine sink	1. Floating boat leak or broken 2. Frame broken	1. Replace or repair floating boat 2. Replace or repair frame
Oil leak	1. Oil seal broken	1. Repair oil seal
Speller not work	1. Circuit break 2. Motor broken 3. Gear box broken	1. Check circuit 2. Replace or repair Motor 3. Replace or repair gear box
Abnormal noise	1. Gear box or bearing broken 2. Gear box shortage lubricant oil or no lubricant oil	1. Replace or repair gear box and bearing 2. Add lubricant oil

## TWO PADDLEWHEEL AERATOR 1 HP



# FOUR PADDLEWHEEL AERATOR 2 HP



Flexible connector

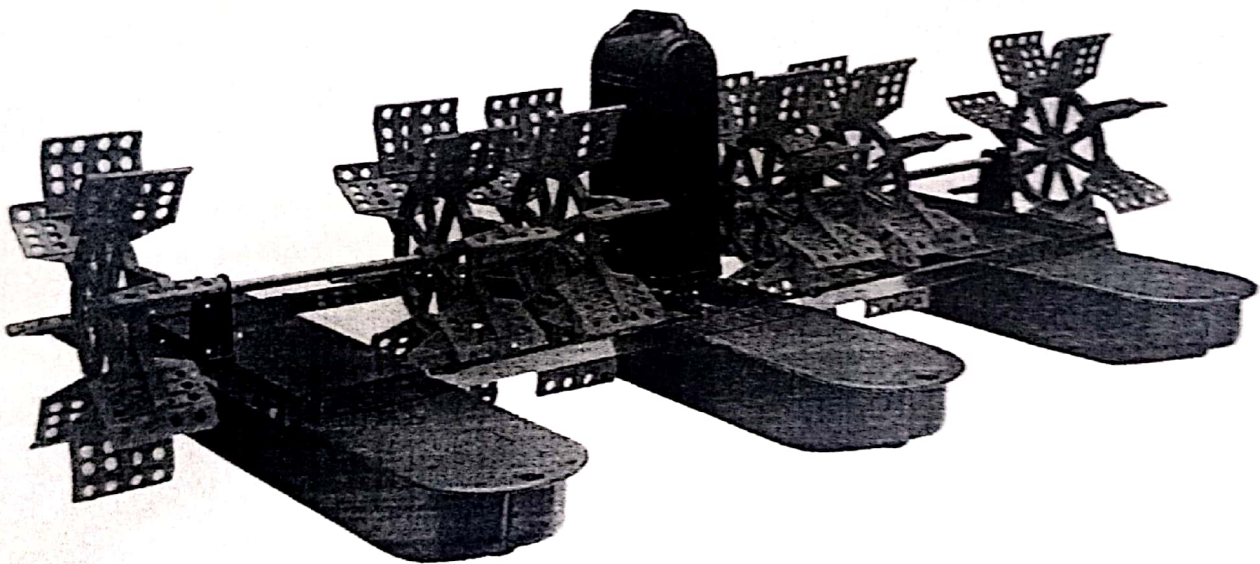
Flexible connector

Bearing seat

- 1. water-proof cap
- 2. motor and gear box
- 3. flexible connector
- 4. paddlewheel
- 7. bearing seat
- 8. seat
- 9. drive shaft

- 10. bolts and nuts
- 15. bearing clip
- 16. rubber bearing
- 17. pin
- 19. rocker
- 20. flange
- 22. frame
- 23. float

# SIX PADDLEWHEEL AERATOR 3 HP



## SAFEGUARD DEVICE

1. There is safeguard device in motor. when low voltage, less phase and imbalance for 3-phase electricity, the safeguard device will cut off and recover in one hour.
2. If safeguard device cut off the power, the whole power supply line should be checked carefully. Especially for the connection of switch, fuse box, pin and socket. It should be deal with by Professional people.
3. Aerator can continue work for a long time. When the safeguard device works, it's a signal that the power line may have problem. Check and repair immediately!

## FEATURE

1. Use arc bevel gear instead of turbine wheel or poles, save at least 20% power than traditional type and be high efficiency.
2. Arc bevel gear is made of Cr-Mn-Ti steel alloy, the surface has been deal with Carbonitriding, high HRC and long life-span.
3. Use oil seal to ensure no oil leakage
4. There is a safeguard device inside the motor.
5. HDPE floating boat, nylon paddlewheel, stainless steel shaft, frame and screw.

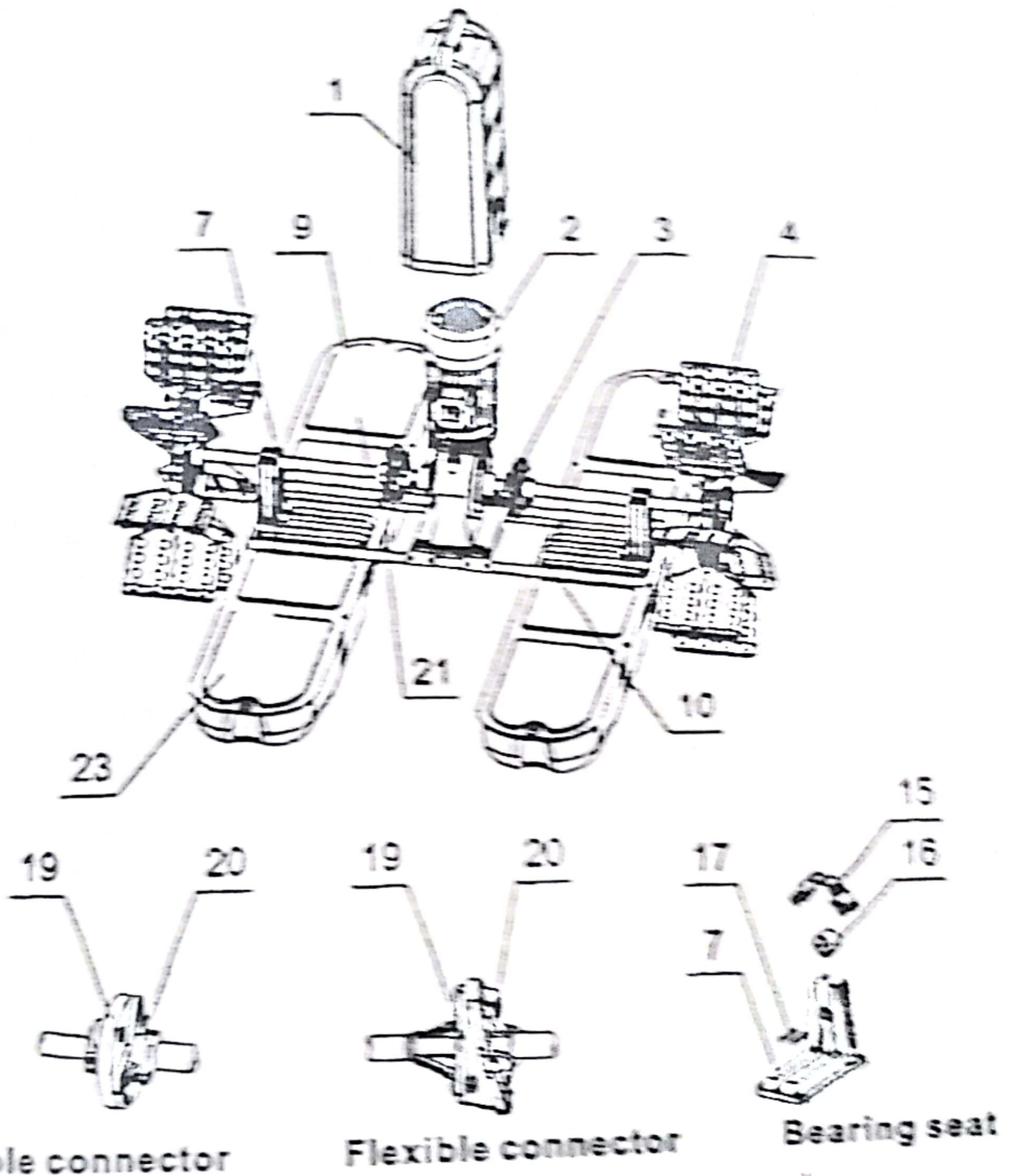
## SPECIFICATION

Model	Power (KW)	Voltage (V)	Aerobic Capacity (Kg/h)	Noise DB(A)	Ampere (A)
1 HP	0.75	440	≥1.4	≤78	≤2.0A
2 HP	1.5	440	≥2.0	≤80	≤3.5A

## Trouble Shooting

Trouble	Cause	Trouble Shooting
Machine sink	1. Floating boat leak or broken 2. Frame broken	1. Replace or repair floating boat 2. Replace or repair frame
Oil leak	1. Oil seal broken	1. Repair oil seal
Impeller not work	1. Circuit break 2. Motor broken 3. Gear box broken	1. Check circuit 2. Replace or repair Motor 3. Replace or repair gear box
Abnormal noise	1. Gear box or bearing broken 2. Gear box shortage lubricant oil or no lubricant oil	1. Replace or repair gear box and bearing 2. Add lubricant oil

TWO PADDLEWHEEL AERATOR 1 HP



Flexible connector

Flexible connector

Bearing seat

- 1. water-proof cap
- 2. motor and gear box
- 3. flexible connector
- 4. paddlewheel
- 7. bearing seat
- 9. drive shaft
- 10. bolts and nuts

- 15. bearing clip
- 16. rubber bearing
- 17. pin
- 19. rubber
- 20. flange
- 21. frame
- 23. float